

Stage # 4

Double Dogs

RULES: IDPA Rule Book 2005
CONCEALMENT GARMENT: Required

COURSE DESIGNER: Jon Santini

STARTING POSITION: Standing at P1 with hands relaxed at sides, gun holstered and loaded to division capacity.

SCENARIO: You are walking down your street and encounter 2 dogs who think you look like a tasty meal. Protect yourself.

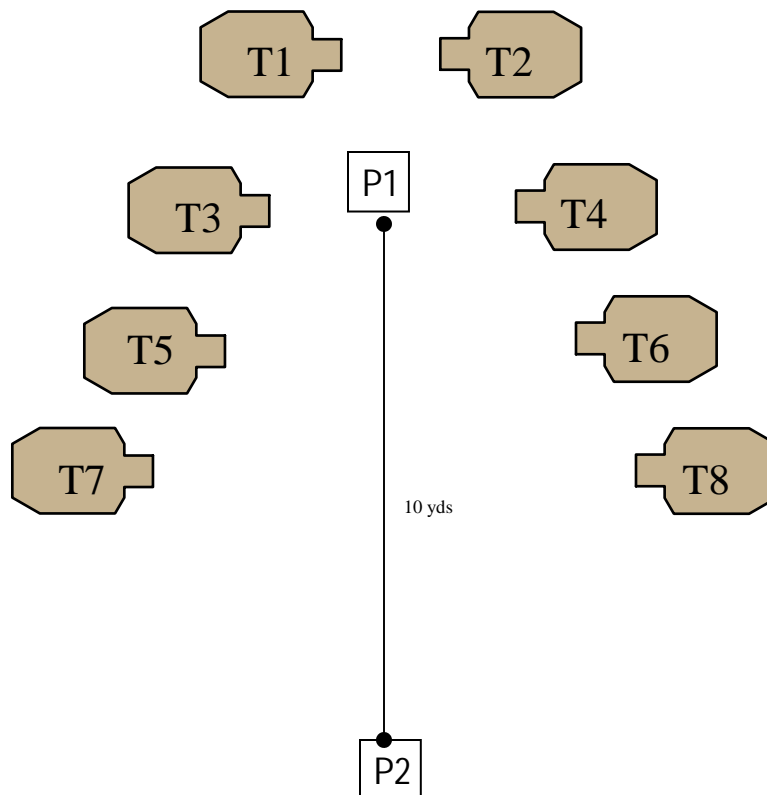
STAGE PROCEDURE: At the start signal, draw and engage all targets while retreating. Targets are to be engaged in pairs (left & right). All paper targets get at least 2 shots.

Notes:

- Reload as necessary using any IPDA reload.
- Be sure you fully past each pair of targets before you engage them. Be aware of the 180 degree points.

SCORING: Vickers Count
ROUND COUNT: 16 Minimum
SCORED HITS: Best 2 shots on T1-T8

RELOADS: Any IDPA reloads
START-STOP: Audible and last shot



Big Darby Creek Shooting Range
IDPA Match - March 27, 2010

Prop List
8 Target Stands
16 Short Uprights
8 Threat Targets