

# STAGE 4 BAY 5

# Rifle/Shotgun

# “On the Edge”

**RULES:** USPSA MultiGun, Latest Edition

**COURSE DESIGNER:** Michael Craig

**START POSITION:** Seated in chair with rifle & shotgun loaded per 8.1: at low ready. Shotgun in barrel per MG 10.5.3

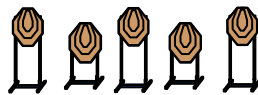
**STAGE PROCEDURE:** Upon start signal engage all Classic IPSC targets R1-5 as they become visible while seated in chair with rifle. When finished ground rifle in rifle barrel per MG 10.5.3 i.e. unloaded or in a safe condition. Retrieve shotgun from barrel and engage clay pigeons 1-8 and plates 1-9 with birdshot and Metric targets T1&T2 with 2 slugs each.

All paper targets require 2 shots each and steel to knock down and one (1) BB to break Clay Pigeons.

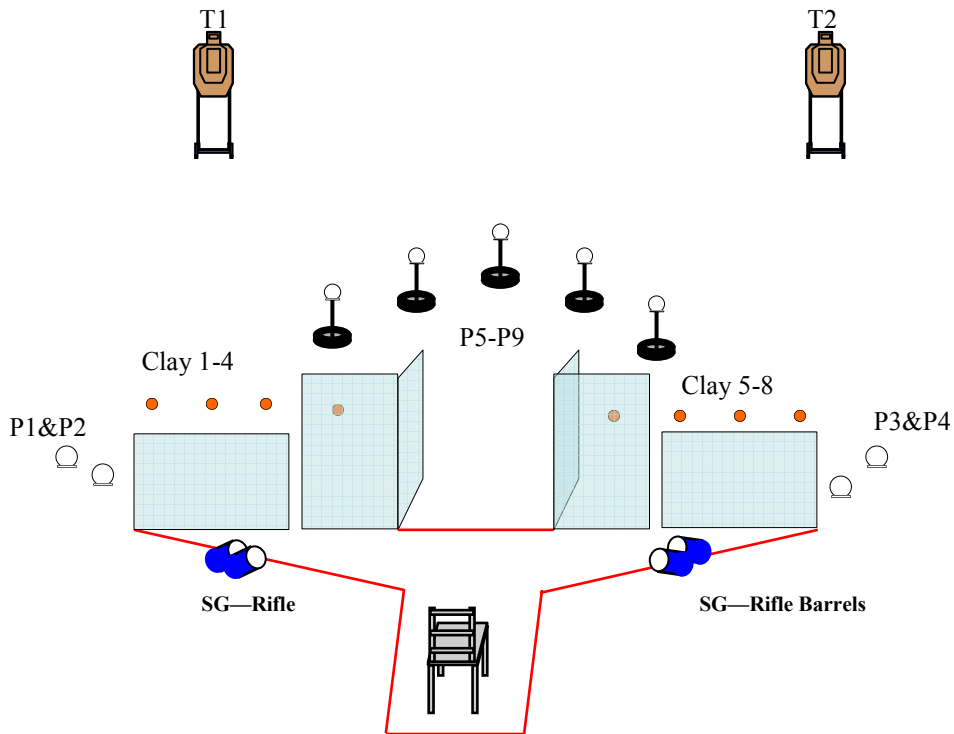
Remember all grounded guns must be unloaded or must have safety on if applicable.

**SCORING:** Comstock 155 points  
**ROUNDS:** Rifle-10, Birdshot-17, Slugs-4  
**TARGETS:** IPSC 7, Plates 9, Clays 8  
**SCORED HITS:** Best per IPSC, Steel down = 1A  
**START-STOP:** Audible - Last shot

40 Yds



R1-5



**SETUP NOTES:**

**RO NOTES:** Remind of 180 rule to backstop. All guns must be grounded unloaded or with safety on.